

PLEASE CHECK WWW.MOLEX.COM FOR LATEST PART INFORMATION

Part Number: **0521160413**
Status: **Active**
Overview: splash_proof
Description: 2.50mm (.098") Pitch Splash Proof Wire-to-Wire Plug Housing, 2 Circuits, Wide Body Type

Documents:

[3D Model](#) [Product Specification PS-52117-007 \(PDF\)](#)
[Drawing \(PDF\)](#) [RoHS Certificate of Compliance \(PDF\)](#)

General

Product Family Crimp Housings
Series 52116
Overview splash_proof
Product Name Splash Proof

Physical

Circuits (maximum) 2
Color - Resin Black
Gender Plug
Glow-Wire Compliant No
Lock to Mating Part Yes
Material - Resin Polyester
Number of Rows 1
Packaging Type Tray
Panel Mount No
Pitch - Mating Interface (in) 0.098 In
Pitch - Mating Interface (mm) 2.50 mm
Stackable No
Temperature Range - Operating -40°C to +105°C

Electrical

Current - Maximum per Contact 3A

Material Info

Reference - Drawing Numbers

Packaging Specification SPK-52116-001
Product Specification PS-52117-007
Sales Drawing SD-52116-041*

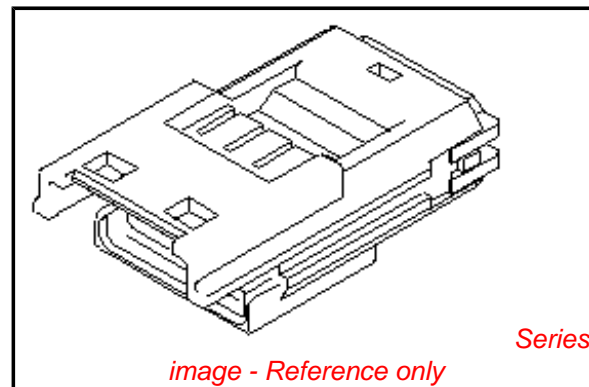


image - Reference only

EU RoHS

**ELV and RoHS
Compliant
REACH SVHC
Not Reviewed
Halogen-Free
Status
Not Reviewed**

China RoHS



**Need more information on product
environmental compliance?**

Email productcompliance@molex.com
For a multiple part number RoHS Certificate of Compliance, [click here](#)

Please visit the [Contact Us](#) section for any non-product compliance questions.

Search Parts in this Series

52116Series

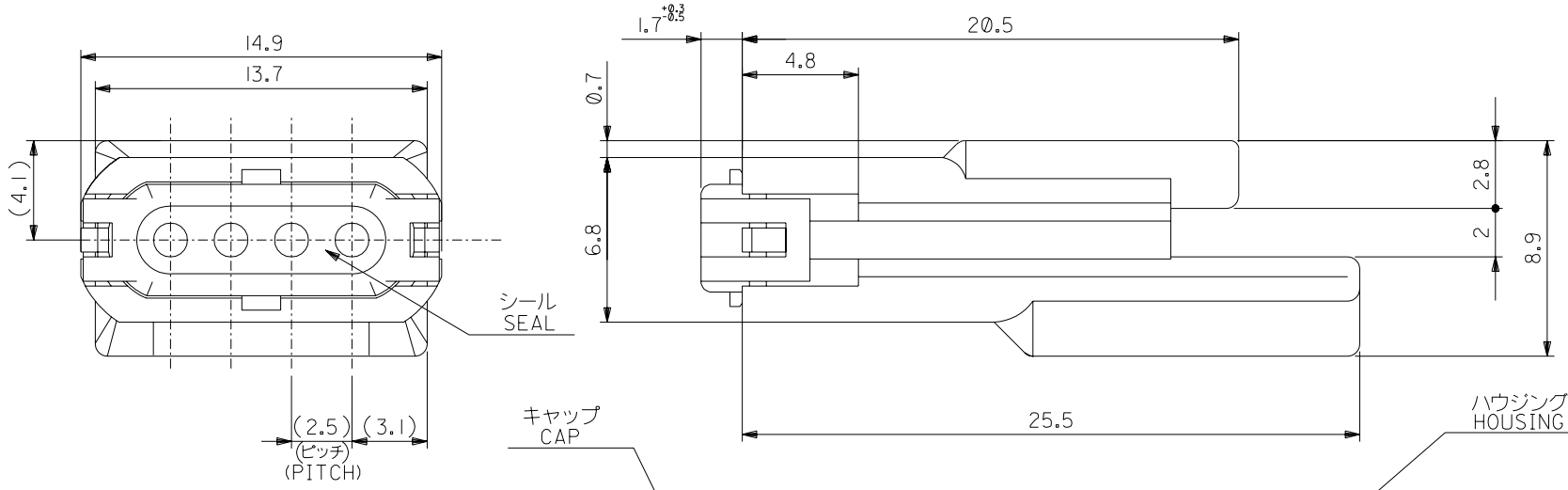
Mates With

52117

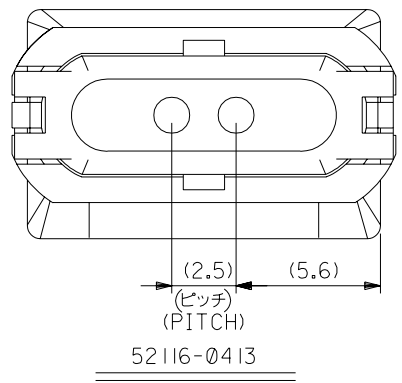
Use With

50038

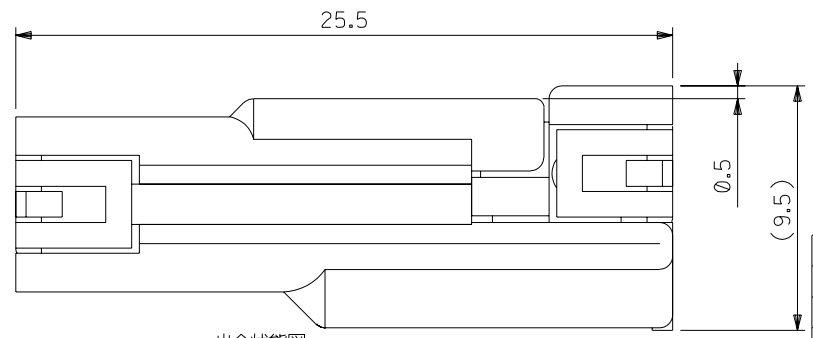
DWG. NO. SD-52116-041*
 DIMENSIONS IN METRIC DO NOT SCALE DRAWING



52116-0410, 52116-0411, 52116-0412



52116-0413



嵌合状態図
FULLY MATED CONDITION

キャップ
CAP

ハウジング
HOUSING

**注記
NOTES**

- 適合ターミナル: 50038-8*00
APPLICABLE TERMINAL: 50038-8*00
- 材料:
MATERIAL:
キャップ: ポリエステル(ガラス15%含有)
CAP: POLYESTER (15%G.F.)
ハウジング: ポリエステル(ガラス15%含有)
HOUSING: POLYESTER (15%G.F.)
シール: シリコンゴム
SEAL: SILICONE
- 適合相手: 52117-041*
MATES WITH: 52117-041*

AVS0.3, AWG#20-22	黒	BLACK	52116-0413
AVS0.3, AWG#20-22	赤	RED	52116-0412
AVS0.3, AWG#20-22	黒	BLACK	52116-0411
AVS0.3, AWG#20-22	白	WHITE	52116-0410
適用電線範囲 WIRE RANGE	ハウジングの色 HS'G COLOR		製品番号 ENG. NO.

材料 MATERIAL				注記参照 SEE NOTES				molex MOLEX-JAPAN CO.,LTD. 日本モレックス株式会社			
仕上げ FINISH				//				REVISE ONLY ON CAD SYSTEM			
適用電線範囲 WIRE RANGE				表参照 SEE CHART				TITLE 名称 2.5 SPLASH PROOF CONN. PLUG HS'G ASS'Y W/POSITIVE LOCK			
被覆外径 INS. RANGE				φ 1.8-1.9							
角度 ANGLE		+3°		C 変更 (J2003-1723) REVISED		A.Y. 02/12/24					
30°以上 OVER		+0.3		B 変更 (J45032) REVISED		Y.H.M.S 94/4/12					
10°以上 OVER 30°未 UNDER		+0.25		A 変更 (J90218) REVISED		Y.A.M.S 3/16/89					
10°未 UNDER		+0.2		0 新規作図 (J80600) NEW DRAWING		Y.A 7/12/88					
一般公差 GENERAL TOLERANCES				記号 LTR		変更内容 REVISION RECORD		DR. 日付 CHK. DATE		M. ENOMOTO 7/12/88	
								DRAWN BY 7/12/88 Y. ASHIZAWA		CHK'D BY 94/4/12 M. SAKANO	
								適用電線範囲 WIRE RANGE		尺 度 SCALE	
								5-1		DWG. NO. SD-52116-041*	
										REV C	